



བགྲིས་བཅད་དོན་བརྒྱུད་འབྲེལ་ཚད་འཛིན།།

Tashi InfoComm Limited

TASHI INFOCOMM LIMITED

BIDDING DOCUMENT FOR SUPPLY OF

“POWER & UTILITY EQUIPMENT”

Reference No: TICL/PRO-08/2022/3007

Date: 13 / 01 / 2022





བགྲིས་བརྗོད་ལྷན་ཁག་གི་འབྲེལ་ཚད་འཛིན།།

Tashi InfoComm Limited

**SECTION-I
INVITATION OF BIDS FOR SUPPLY OF**

“Power & Utility Equipment”

1. Tashi InfoComm Limited hereinafter referred to as “**Purchaser**” invites sealed bids from eligible Bidders for the supply of Power & Utility Equipment.
2. Interested eligible bidder(s) may obtain further information on the bid form directly from our website- www.tashicell.com or from Procurement & Inventory Section, Norzin Lam, Post Box No. 1502, Thimphu, Bhutan. Contact Procurement & Inventory Section at the given contact details during office hours Only.
3. The Purchaser shall not be responsible for any costs or expenses incurred by the Bidder(s) in connection with the preparation or delivery of Bids.
4. All Bidders/Representatives of the Bidders may be present during the Opening of the Bidding Documents.
5. All correspondences with regard to the Bidding Documents shall be made in writing or email to the following address. Telephone enquires shall not be accepted.

Address for communication/contact.

Procurement & Inventory Section,
Tashi InfoComm Limited,
Norzin Lam, Post Box No-1502,
Thimphu, Bhutan.

Email: manager.procurement@tashicell.com/manager.power@tashicell.com





བགྲིས་བརྒྱ་དོན་བརྒྱུད་འབྲེལ་ཚད་འཛིན།།

Tashi InfoComm Limited

**SECTION-II
INSTRUCTION TO BIDDERS**

A. GENERAL

1. Scope of Bid:

- 1.1. The scope of Bid shall be the supply of Power & Utility Equipment.
- 1.2. All the Bids are to be completed and submitted to the Purchaser in accordance with the Instruction to Bidders.

2. Eligibility:

- 2.1. The invitation for Bid is open to all the interested licensed national and global suppliers.

3. Cost of Bidding:

- 3.1. The Bidder(s) shall bear all costs associated with the preparation and delivery of its Bids, and the Purchaser shall in no case be responsible or liable for those costs.

4. Bidding Documents:

- 4.1. The Goods/Services required Bidding procedures and terms & conditions are prescribed in the Bidding Documents. In addition to the Invitation for Bids, the Bidding Document includes:
 - a) Instructions to Bidders
 - b) General Terms & Conditions
 - c) Detail list of Goods/ and or Services to be supplied along with detailed specifications.
- 4.2. The Bidder(s) are expected to examine the Bidding Document, including all Instructions, Forms, Terms, and Specifications. Failure to furnish all information required by the Bidding Document or submission of a Bid not substantially responsive to the Bidding Document in every respect will result in rejection of the Bid.

5. Bid Prices:

- 5.1. The Bidder(s) shall complete the appropriate Price Schedule included herein, stating unit prices, extended amount and the expected countries of origin of the Goods to be supplied, if applicable
- 5.2. Prices quoted by the Bidders shall remain fixed and valid for the period stated in **Section-II, Clause 6** of the Bidding Document, and will not be subject to variation on any account.
- 5.3. The Bid Currency shall be Ngultrum (Nu) for this bidding document. Except for third country bidder(s), the bidder(s) from the rest of the countries are not allowed to quote in US dollars. The third country bidder(s) who quoted in US Dollar shall be converted into Ngultrum at the prevailing exchange rate (Selling TT rate of any financial institution) as on the date of tender opening for evaluation purpose.





བགྲིས་བཅད་དོན་བརྒྱུད་འབྲེལ་ཚད་འཛིན།།

Tashi InfoComm Limited

5.4. Trade Terms shall be:

Unless otherwise stated, the following shall be the trade terms for this bidding document:

- a) For Local & Indian Bidder(s): CIF, TICL Warehouse, Thimphu, Bhutan
- b) For Third Country Bidder: CIF, Kolkata, India.

6. Bid Validity:

- 6.1. The Bids shall be valid for 12 months from the date of Bid Submission.

7. Taxes/Duties & other levies:

- 7.1. Unless otherwise stated, the applicable taxes/duties/any other levy both within and outside Bhutan shall be under the scope of the Bidder.
- 7.2. The third country bidder(s) or bidder(s) from India may exclude applicable taxes/duties while submitting the bid. The applicable taxes including customs clearance within Bhutan shall be under the scope of the Purchaser. However, applicable taxes/duties, etc shall be factored in during the time of evaluation to determine the final landing cost.

8. Evaluation:

- 8.1. The purchaser shall evaluate the quotations based on specifications given in the bidding document to ascertain the lowest evaluated bidder(s).
- 8.2. The evaluation shall not only be based on the quoted rates but the specifications and complete datasheet of the Power & Utility Equipment against the purchaser's requirement.
- 8.3. The Evaluation Team & Management Tender Committee's evaluation decision shall be final and binding, without thereby incurring any liability to the affected Bidder or Bidders or any obligation to inform and explain the affected Bidder or Bidders on the grounds of the evaluation team & Management Tender Committee's evaluation decisions and reports. In addition, the performance of previous tenders with the Purchaser, if any shall also be factored in during the time of evaluation.
- 8.4. The lowest quoted unit rates alone do not guarantee the award of contract/purchase order.
- 8.5. The evaluation shall be based on the respective line-item basis. The bid shall not be considered as a "single package".

9. Award of Purchase Order/Contract:

- 9.1. The Purchaser shall award the PO or supply contract to the Lowest Evaluated bidder(s) for the respective line-item(s).

10. Delivery:

- 10.1. Delivery should be completed as per the given schedule:





བགྲིས་བཅད་དོན་བརྒྱུད་འབྲེལ་ཚད་འཛིན།།

Tashi InfoComm Limited

- a) Within 45-60 days from the date of confirmed PO depending on the nature of the items(s) awarded to the respective successful bidder(s).
 - b) The detailed terms & conditions shall be mentioned in the confirmed Purchase Order/Supply Contract.
- 10.2. The purchaser (TICL) may provide delivery time extension beyond the actual delivery date taking into account the actual need-by-day and project schedule of TICL. However, subject to the approval of the Management Tender Committee after levying the Liquidity Damaged (LD) Penalty.
- 10.3. The Time Extension request/provided may not exceed 15 days at the maximum OR depend on the approval granted by the Management Tender Committee of the purchaser. The supplier has to send an email/in writing requesting a time extension with genuine reasons (along with supporting documentation).

11. Inspection of Goods:

- 11.1. The goods are subject to Physical Inspection upon delivery at TICL Warehouse and testing & commissioning in due course of time. The Goods found to be faulty, DOA, not meeting specifications/requirement of TICL after the final inspection, installation, and testing shall be rejected at the cost of the bidder.

12. Warranty (If applicable):

- 12.1. The Warranty shall be a minimum of 12 months from the date of delivery OR standard manufacturer's warranty, whichever is longer.

13. Payment:

- 13.1. The Payment shall be made 100% against delivery within 7 working days from the date of receiving of the Bill/Invoice.
- 13.2. Advance payment up to a maximum of 30% of the total PO value may be released at Purchaser's discretion against furnishing equivalent amount of bank guarantee for the advance payment valid 3-6 months beyond the delivery deadline.

14. TDS/FCT:

- 14.1. TDS (Tax Deduction at Source) and or FCT (Foreign Contract Tax) shall be deducted as per the existing Rules and Regulations of the Department of Revenue & Customs, Bhutan (wherever applicable).





བགྱིས་བཟོ་དོན་བརྒྱུད་འབྲེལ་ཚད་འཛིན།།

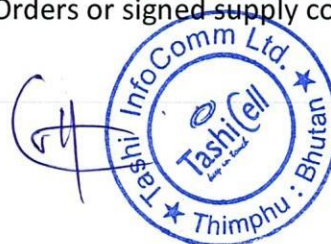
Tashi InfoComm Limited

15. EMD (Earnest Money Deposit):

- 15.1. The bidder should submit **not less than 2% of the total quoted value** as part of the EMD along with the quotation in the form of Demand Draft or Bank Guarantee from any of the financial institutions located in Bhutan. The bidder(s) other than Bhutanese national can furnish EMD from the financial institutions in their respective countries OR from any of the Bhutanese Financial Institutions. The EMD may be directly deposited into the Purchaser's bank account (*please contact the purchase requesting bank details via email*).
- 15.2. The bidder(s) failing to submit the EMD as per the requirement shall result in the rejection/cancellation of their bid.
- 15.3. The EMD shall be valid for 30 days beyond the submission/submission deadline of the bidding document. The EMD should be drawn in favor of **"Tashi InfoComm Ltd., Norzin Lam, Thimphu, Bhutan"**.
- 15.4. EMD of unsuccessful bidder(s) shall be returned promptly after the finalization of the quotation.
- 15.5. EMD shall be forfeited if:
 - a) A bidder withdraws its bids prior to the finalization of the bids in every respect.
 - b) The successful bidder fails to submit Performance Security as per the terms specified in the bidding document.
- 15.6. EMD of the successful bidder shall be returned promptly upon submission of Performance Security.

16. Performance Security:

- 16.1. The successful bidder should submit not less than 10% of the total PO/contract value as Performance Security within 1 week from the date of PO/signing of the supply contract.
- 16.2. Performance Security shall be drawn in favor of **"Tashi InfoComm Ltd, Thimphu"** in the form of Demand Draft or Bank Guarantee or can be deposited directly into the purchaser's bank account(contact purchaser via email requesting bank details).
- 16.3. Performance Security shall be valid for the period of **1 YEAR** from the date of Purchase Order/Supply Contract.
- 16.4. If the successful bidder fails to submit the performance security within 1 week, the EMD shall be forfeited and the purchase order shall stand canceled and awarded to the second-lowest evaluated bidder.
- 16.5. Performance Security shall be returned within 1 week from the date of successful completion of all obligations under the issued Purchase Orders or signed supply contract.





བགྲིས་བརྗོད་མཁུན་འབྲེལ་ཚད་འཛིན།།

Tashi InfoComm Limited

16.6. Performance Security shall be forfeited if:

- a) The successful bidder fails to execute the supplies/works as per the terms and conditions stated in the purchase order in any manner deemed unsatisfactory by the purchaser (TICL) or the end-user(s).
- b) The successful bidder fails to deliver the goods on the given deadline and is not recommended by the end-user(s) for a time extension or replacement.
- c) The goods supplied do not conform to the specifications/brands/requirements, etc stated in the purchase order/BOM.

17. Liquidity Damage (LD) Penalty:

17.1. The LD penalty shall be charged at 0.1% per day up to a maximum of 10% of the total PO value should the supplier fail to deliver on the specified deadline.

18. The purchaser Right:

18.1. The Purchaser reserves the following rights without thereby incurring any liability to the affected Bidder or Bidders or any obligation to inform and explain the affected Bidder or Bidders on the grounds of the Purchaser's action:

- a) The right to accept or reject any Bid and reject all the Bids at any time prior to issuance of Award Notification and or Purchase Order.
- b) The right at the time of award of the purchase order to increase or decrease the quantity of Goods specified in the Bidding Document, without any changes in the price or other terms & conditions.
- c) The right to reject all or in part, the item supplied during the time of physical inspection/testing or found to be non-standard/non-specific/unreliable in terms of quality/not meeting specification.
- d) The right to direct negotiation, call quotations and receives the same via email from the manufacturers; authorized distributors; authorized dealers; frequent supplier(s) of similar goods in Bhutan/India/China/Other countries to compare the rates with those offered by the vendors through this Bidding Document. If need be, to procure directly. The Purchaser also reserves the right to negotiate with the lowest evaluated bidder(s) or all of the bidders at any time prior to award of Purchase Order/Signing of Supply Contract.

18.2. Should the selected Bidder(s) fails to supply full order quantity within the given deadline, the purchaser reserves the right to cancel the quantities not supplied and place an order to the Second Lowest Evaluated Bidder. In such a case, the Purchaser shall recover as part of Liquidated Damages, the difference amount between purchase order rate and the actual rate paid to the second-lowest evaluated bidder for the quantities not supplied. The amounts shall be either adjusted from the Performance Security or bill/invoice amount of the supplied quantity.





བགྲིས་བཅ་དོན་བརྒྱད་འབྲེལ་ཚད་འཛིན།།

Tashi InfoComm Limited

19. Force majeure:

19.1. Force Majeure shall mean such unforeseeable occurrences beyond the control of the Purchaser and Bidder which occur after the date of issuance of Purchase Order or signing of Supply Contract and which were not reasonably foreseeable at the time of issuance of Purchase Order or signing of Supply Contract and which effects are not capable of being overcome without the unreasonable expense and/or loss of time to the Purchaser and the Bidder concerned, including, provided that the aforementioned conditions are met, but not limited to:

- i) Natural catastrophes, earthquakes
- ii) Strikes and blockages
- iii) War or war-like conditions, mobilizations, revolutions or riots, the act of Public enemy, sabotage, terrorism.
- iv) Restriction by or actions, omissions, or interventions from Public Authorities (including but not limited to changes in laws, regulations or import/export, security restrictions).
- v) The Party who wishes to plead Force Majeure shall inform the other party of the First party's perception of the effects of such force majeure on the fulfillment of issued purchase order/signed Supply Contract. Should any event of force majeure cause an increase in the time required for the performance of any part of the purchase order/signed Supply Contract, an equivalent adjustment shall be made in the time required for performance.

However, if the force majeure situation continues for more than two months, the purchaser and bidder shall decide whether the contract should be terminated.

20. Termination:

20.1. In the event of any failure by the Bidder to perform any of its obligations under the issued purchase order or signed Supply Contract or upon unsatisfactory performance, the purchaser shall terminate the purchase order or signed Supply Contract by giving a prior written notice of Fifteen (15) days, without any obligation to the Bidder. However, the purchaser shall pay the actual due amount for the quantity supplied and accepted by the Purchaser to Bidder on termination of the issued purchase order or signed Supply Contract.

21. Indemnity:

21.1. The bidder(s) shall comply with all the laws in force in Bhutan and outside. The laws will include all national, provincial, municipal, or other laws that affect the performance of the issued purchase orders or signed Supply Contract and bind upon the Bidder(s). The Bidder(s) shall indemnify and hold harmless the Purchaser for and against any and all liabilities, damages, claims, fines, penalties, and expenses of whatever the nature arising or resulting from the violation of such laws by the Bidder(s).





བགྲིས་བརྒྱ་དོན་བརྒྱུད་འབྲེལ་ཚད་འཛིན།།

Tashi InfoComm Limited

22. Dispute Settlement:

- 22.1. If any dispute should arise in connection to the issued purchase order or signed Supply Contract, the Parties shall try to settle any such dispute through good faith and negotiations including escalation to senior Management where each party deems it appropriate. If negotiations fail, the matter shall be referred to the Court of Law.

23. Governing Law and Jurisdiction:

- 23.1. The terms and conditions in this Bidding Document or issued Purchase Order or signed Supply Contract shall be read and construed in accordance with the laws of the Kingdom of Bhutan and the District Court of Thimphu, Bhutan shall have jurisdiction over any disputes arising out of the Contract.





བགྱིས་བཟོ་དོན་བརྒྱུད་འབྲེལ་ཚད་འཛིན།།

Tashi InfoComm Limited

SECTION-III

GENERAL TERMS & CONDITIONS:

In this Bidding Document, the following terms shall be interpreted as indicated below:

“The Bid” means the proposal submitted by the Bidder

“The Purchaser” means the organization purchasing the Goods. In this case, M/s. Tashi InfoComm Limited (TICL).

“Day” means a calendar day.

1. **Bid Submission:** The Bids should be submitted in a sealed envelope (Single Envelope Method-**copy not required**) addressed to “**Manager, Procurement & Inventory Section, TICL** against Reference No. TICL/PRO-02/2022/3007 dated 13/01/2022”.
2. **Bid Submission:** 11:00 AM (Bhutan Standard Time); 31/01/22
3. **Bid Opening Time:** 2:00pm : 31-01-22 at TICL conference hall. Interested Bidder(s) may attend the bid opening on the given deadline and place.
4. Bidding Document received after the deadline (time & date of submission) shall not be accepted and opened during the bid opening. The quotations shall automatically stand as “Rejected”.
5. The Purchaser shall not be responsible for any damages, losses, breakages, or shortages of any items while in transit for delivery of Goods to TICL Store/warehouse.
6. The Bidder should enclose a Xerox copy of valid Trade License, Tax clearance, Power of Attorney, and other relevant documents.
7. **Clarification on Bidding Document:** The bidder(s) are expected to examine the Terms and Conditions stated in the Bidding Document, Bill of Materials, Specifications, Drawings, etc furnished along with the Bidding Document. Once the bids are submitted by the bidder(s), It shall mean:
 - a) The bidder(s) have examined, read, and accepted all the terms and conditions stated in the Bidding Document, the specifications of the goods/services, Drawings/Designs, etc furnished in the Bidding Document. Thereafter, no grievance, complaints, etc (whatsoever nature may be) shall be accepted.
 - b) The bidder(s) can seek clarification (through email/in writing) with regard to the terms & conditions of the Bidding Document, the specifications of the goods/services, Drawings/Designs, etc furnished in the Bidding Document before the submission of the Bids.





བགྲིས་བརྒྱ་དོན་བརྒྱུད་འབྲེལ་ཚད་འཛིན།།

Tashi InfoComm Limited

- c) Clarification can be sought through email or in writing to any of the given officials during office hours. Email ID: manager.procurement@tashicell.com OR procurement.finance@tashicell.com OR manager.power@tashicell.com OR procurement@tashicell.com. Address: Manager, Procurement & Inventory Section, Tashi InfoComm Ltd., Norzin Lam, Post Box No. 1502, Thimphu, Bhutan.
8. The Bids not substantially responsive to the Bidding Document in every respect will result in rejection of the Bids.
9. For any complaints or grievances, the bidder(s) may write directly to the Management Tender Committee of the Purchaser through email. The Email ID is **procurement@tashicell.com**.
10. Product samples, catalog/brochures containing details of technical and functional specifications shall be submitted along with the Bids wherever applicable. Failing which, shall result in rejection of the Bidding Document.
11. The decision of the Corporate/Management Tender Committee shall be final and binding.





བགྲིས་བརྒྱ་དོན་བརྒྱུད་འབྲེལ་ཚད་འཛིན།།

Tashi InfoComm Limited

SECTION-IV

The complete **Bill of Materials (BOM)** is as stated in **Annexure-I**. The Bids should be submitted in the below format in your company Quotation Form.

Annexure-I:

S/L	Description	UoM	Qty	Unit Rate	Amount
1.	1. Detail as given in Annexure-I				

Total

Note:

1. Please attached details of the technical and functional specification along with Bidding Doc. Failing to do so, will result in the rejection of your bidding document.
2. Mention the Country of origin of goods in the bidding document.



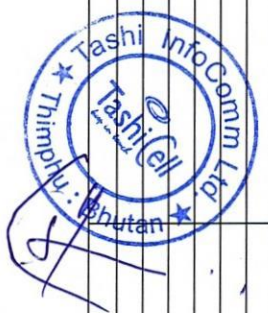
Date: 6/07/2021

Annex-I: BOQ_Powr Utilities, Tools & Equipment_FY-2022

S/L	Description	Specification	UoM	Qty	Rate	Amount	Remark
1	Energy Meter Enclosure with din rail and 63amps Double Pole MCB (DP), HENSEL Make, Model No:KG9003, IP65 Protection, Technical specification attached	Specification Attached	Nos	14			
2	2 Core, 50x2 sq mm ABC cable (Aluminium) for use in distribution line, Anvil Brand, XLPE Insulation, Technical specification attached	Specification Attached	Mtrs	4000			
3	2 Core, 35x2 sq mm, armored cable (Aluminium) for use in distribution line, Anvil Brand, XLPE Insulation, Technical specification attached	Specification Attached	Mtrs	500			
4	I-Hook to suspend Suspension Clamp to hold 2x50sqmm ABC cable, Hot Dip Galvanized Steel material, Sample Photo attached	Specification Attached	Nos	30			
5	7.5mtr, Electric pole, Hot Dip Galvanizes steel, Technial drawing attached	Specification Attached	Nos	30			
6	Suspension Clamp to hold 2x50sqmm ABC cable, Hot Dip Galvanized Steel material, Sample Photo attached	Specification Attached	Nos	35			
7	Dead-End Clamp	Specification Attached	Nos	20			
8	Stay Set, Hot Dip Galvanized Steel material, the set should contain 1no each Turn Buckle, Anchor Rod, Steel plate with hole in center, details of dimenions are given in drawing	Specification Attached	Nos	9			
9	Stay wire 7/2.5mm size. The G. I. Stay wire 7/2.50mm shall confirm to IS:2141/1992 and 4826/1979. The wire shall be heavily zinc coated. The wire shall be hot dip galvanized as per IS:4826/79 13 The mass of zinc coating shall be 218.5 Gms/m ²	Specification Attached	KG	135			
10	Battery powered cable lugs crimping tool. Brand: DEWALT, Technical specification attached	Specification Attached	Set	2			
11	Air Conditioner flaring tools, Model No: SKU-253641697572, Brand: HORUSDY, Technical specification attached	Specification Attached	Set	12			
12	Clamp On Meter, Brand: Proskit, Model No: MT3202, Technical specification attached	Specification Attached	Nos	10			
13	Blower, Model No: GBL18V-71N, Brand Bosch, Technical specification attached	Specification Attached	Nos	5			
14	Vacuum Cleaner, Model No: GAS18V-3N, Brand: Bosch, Technical specification attached	Specification Attached	Nos	10			
15	Socket Wrench, Brand Taparia, Technical specification attached	Specification Attached	Nos	10			
16	Comination Wrench, Model No: HW-6514B, Brand Bosch, Technical specification attached	Specification Attached	Nos	50			
17	Combination pliers, Brand: Taparia, Technical specification attached	Specification Attached	Nos	50			
18	Screw Driver set with Tester, Brand Taparia	Specification Attached	Nos	50			
19	1.5 Ton Split type Air Conditioners, Godrej Brand, 5-Star, R-290 gas with wall mounting structures. The set should include remote control along with the necessary battery for remote control. The tubing should be complete copper	Specification Attached	Sets	18			
20	Optical Power Meter	Proskit MT-7601	Nos	2			
21	Cable Puller/Wrnch	Netko 02256 A	No	1			
22	Hand Hydraulic Forklift/Pallet Truck	FIP	No	1			
23	Mini Ducting Rod	Stanley OR Equivalent	No	1			
24	Fish Tape	Good Quality	No	1			
25	Angle Grinder	Bosch	No	1			
26	Telescope Ladder		Nos	2			
27	Bare Fiber	G652D, Single mode,10km	No	1			
Total Amount in Nu							

Note to the Bidders

- 1 Mention Country of Origin of the Goods
- 2 Submit complete Data sheet of proposed Goods
- 3 The Goods should be with complete accessories, where applicable.



Empty enclosures in accordance with IEC 62208

KG 9003 IN



- Built-in dimensions W 182 x H 205 x D 95 mm

IP 55

IP 66

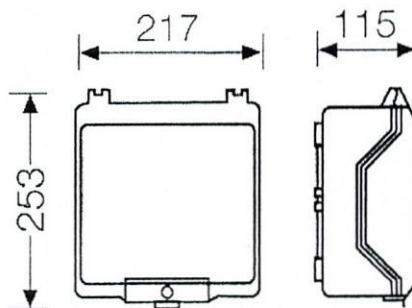


- for installation equipment on DIN rails or mounting plates [REDACTED]
- max. installation depth with built-in mounting plate 95 mm, with built-in DIN rail 89 mm
- with opaque hinged lid
- fastener for tool operation
- sealable
- cable entry via metric knockouts
- included cable entry: 2 ESM 25, sealing range \varnothing 9-17 mm and 1 ESM 32, sealing range \varnothing 9-23 mm
- colour: grey, RAL 7035
- material: PS (polystyrene)

rated insulation voltage	$U_i = 1000 \text{ V a.c./d.c.}$
impact strength	IK 08 (5 Joule)
static load	mounting plate or DIN rail = 1.6 kg lid = 1.6 kg
power dissipation capability at $\Delta\theta = 40 \text{ K}$	$P_{de} = 17.6 \text{ watts}$
wall thickness	enclosure = 3 mm lid = 3 mm
protection class	II
material	PS (Polystyrene)
width	217 mm
height	253 mm
depth	115 mm
weight	0,66 kg
in accordance with	IEC 62208:2011

Drawings

Dimension drawing



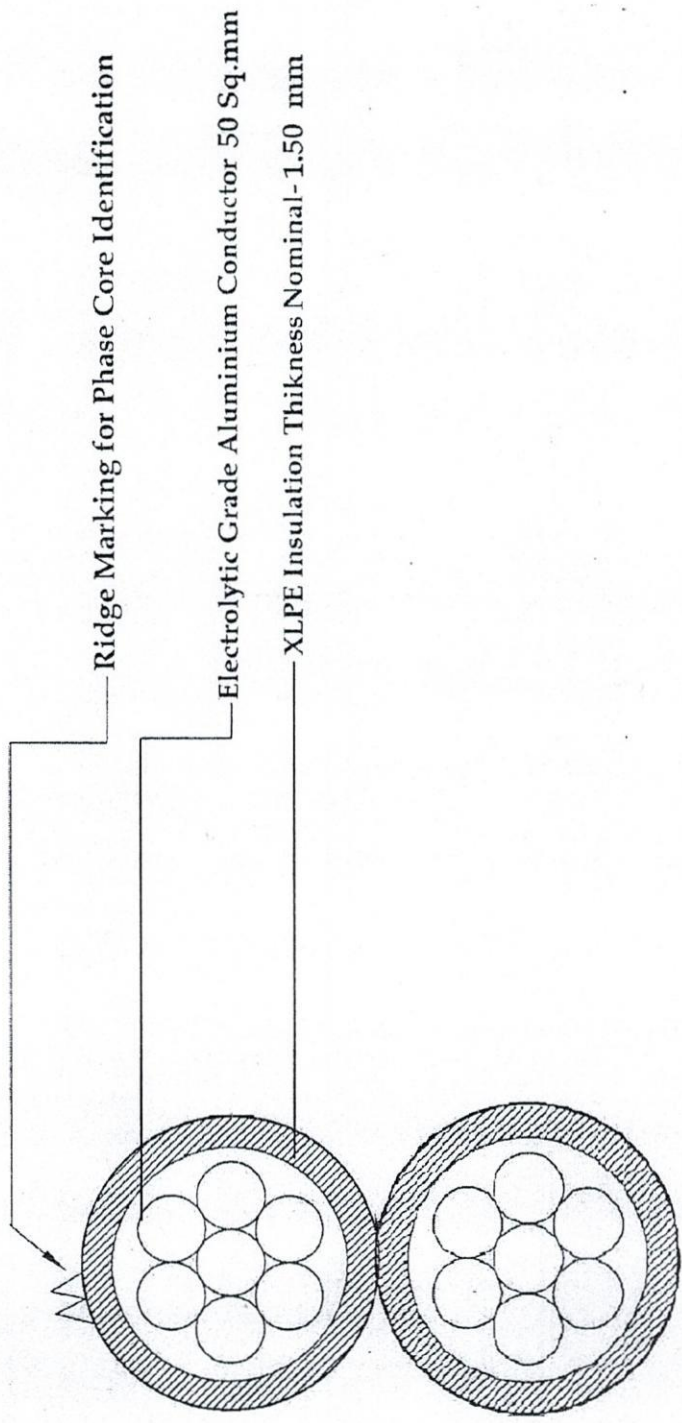
[Handwritten signature]

[Handwritten mark]



ANVIL CABLES PVT. LTD.

Manufacturers of Cables, Conductors, Earth / Stay Wires



ANVIL CABLES PVT. LTD.	
Product	ABC 2X50 SQ MM
Specification	IS 14255 Or NFC 33 : 209
Date	15.10.2019
Drawing Not To Scale	



Handwritten initials/signature

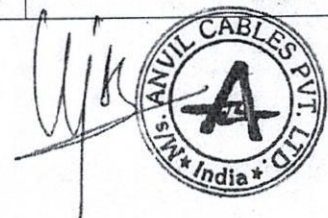


GUARANTEED TECHNICAL PARTICULARS FOR LT AB CABLE SIZE 2 X 50 Sq. mm

Technical characteristics	Unit	Offered Data
Name & Address of Vendor/Manufacturer		M/s. Anvil Cables Pvt. Ltd. Works- AIADA Large Sector, Kandra Main Road, Gamharia, Seraikella, Jharkhand-832108. Reg. Office- 102, Krishna, 224, AJC Bose Road, Kolkata- 700017.
Country of origin		India
Applicable Standard		IS : 14255/1995, IS: 398 Part-4, IS: 8130, IS: 10418, NFC: 33-209
Rated voltage	kV	0.6 / 1.1
Rated Frequency	Hz	50
Maximum temperature of conductor under: Normal operation	°C	90
Short-circuit operation	°C	250
Phase Conductor:		
Material of Insulation		XLPE
Mean Insulation thickness	mm	1.5
Material of Conductor		Aluminum
Cross Sectional Area	mm ²	50
Form		Circular and compacted
Class		2
Number of strands	Nos.	7
Diameter of wire	mm	3.0
Minimum Braking Strength	kN	7.0
Diameter conductor of Compacted	mm	7.90
Maximum resistance at 20°C	Ω/km	0.641
Insulation:		
Material of Insulation		XLPE (Cross Linked Polyethylene)
Nominal Insulation thickness	mm	1.50
Colour of Insulation		Black
Insulated Messenger Conductor:		
Material of Conductor		Aluminum alloy as per IS:398 Part-4
Cross Sectional Area	mm ²	50
Formation of core		Circular
Minimum Number of strands		7
Diameter of wire		3.0
Diameter conductor of compacted	mm	7.90
Maximum resistance at 20°C	Ω/km	0.620
Others Details :		
Overall Diameter of the complete cable	mm	20.0 (Approx)
Packing/Wooden drum		Sea-worthy packing, Suitable as per length, Non-returnable wooden drum
Marking		Printing or Embossing as per NIT requirement/clients requirement
Identification of core		Ridge Mark on Phase core
Length of the cable per drum	meter	1500 m ± 5% tolerance
Net Weight of Cable- Approx.	Kg/km	320
Gross weight of cable including Drum- Approx.	Kg/Drum	580



Handwritten signature/initials



Handwritten signature/initials

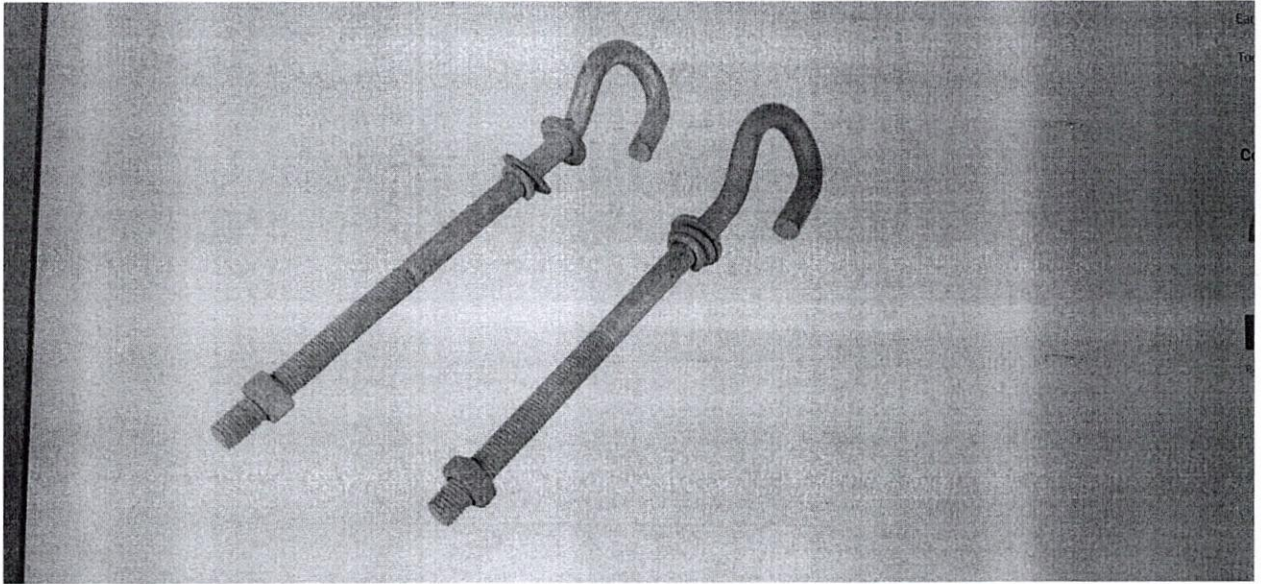
GTP OF LV 1.1 KV XLPE INSULATED ALUMINIUM POWER CABLE

Sl. No.	GTP Parameter	Unit	2C X 35 mm ² CODE- A2FXV
1	Manufacturers Name		M/s Anvil Cables Pvt. Ltd. (INDIA)
2	Applicable Standard		As per IS: 7098 (Part -I) /1988 With latest amendment
3	ISI Registration No. and Validity date		CM/L-5800022009 Valid upto 31.03.2022.
4	Voltage Grade		1100 Volts
5	Conductor		
	a) Material & Grade		H2/H4 Grade Aluminium as per IS :8130 - 1984 With latest amendment
	b) Nos. of Core	Nos.	2
	b) Size of Conductor		
	i) Main Core	mm ²	35
	ii) Neutral Core	mm ²	35
	c) Max. D.C.Resistance of Conductor at 20 deg C (Ohm/km)		
	i) Main Core	Ohm/km	0.868
	ii) Neutral Core	Ohm/km	0.868
	d) No. of Strands / Core		
	i) Main Core	No.	7
	ii) Neutral Core	No.	7
	e) Form of Conductor		Circular Conductor
6	Insulation		
	a) Material & Grade		Type -XLPE Insulation as per IS : 7098-1988 with latest Amendment
	b) Colour of core		Red , Yellow Or As per IS : 7098-1988
	c) Nominal Thickness (mm)		
	i) Main Core	mm	0.9
	ii) Neutral Core	mm	0.9
7	Inner Sheath		
	a) Material & Type		Extruded PVC Type ST -1 Compounded as per IS 5831 -1984
	b) Minimum Thickness (mm)	mm	0.3
8	Armouring		
	a) Material & Type		Galvanized Steel Strip
	b) Nominal diameter / thickness of Armouring wire /strip (mm)	Nos. Xmm	4X0.8
9	Outer Sheath		
	a) Material & Type		Type ST-1 PVC Compound confirming IS : 5831 -1984
	b) Nominal Thickness (mm)	mm	1.40
	c) Colour of Outer Sheath		Black
10	Approximate overall diameter of cable (mm) +/- 2 mm	mm	20.00
11	Approximate net weight of cable	kg/km	700
12	Standard Drum length	Meter	500 Meter± 5%
13	Drum		
	a) Type		Suitable Non returnable Wooden Drums
	b) I.S.Reference		I.S. 10418 With latest amendment.
14	Continuous A.C current capacity (Amps)		
	a) When laid in ground (30 deg. C)	amps	92
	b) When laid in air (40 deg. C)	amps	86
15	Short Circuit rating of conductor for duration of one second in KA	KA	2.66
16	Sequential Marking		Will be provided with every meter as per NIT/TS
17	Marking on cable		ANVIL CABLES ELECTRIC 1100 V (SIZE)SQMM A2XFY MFG YR ISI
18	Bending Radius		12 x Overall diameter of cables
19)	Marking on cable drum shall carry the information stencilled as per cl. No. 18.2 of IS : 7098 (P-I)		
20)	Continuous with stand temp. 70°C.		
21)	Short circuit with stand temp. 160°C.		

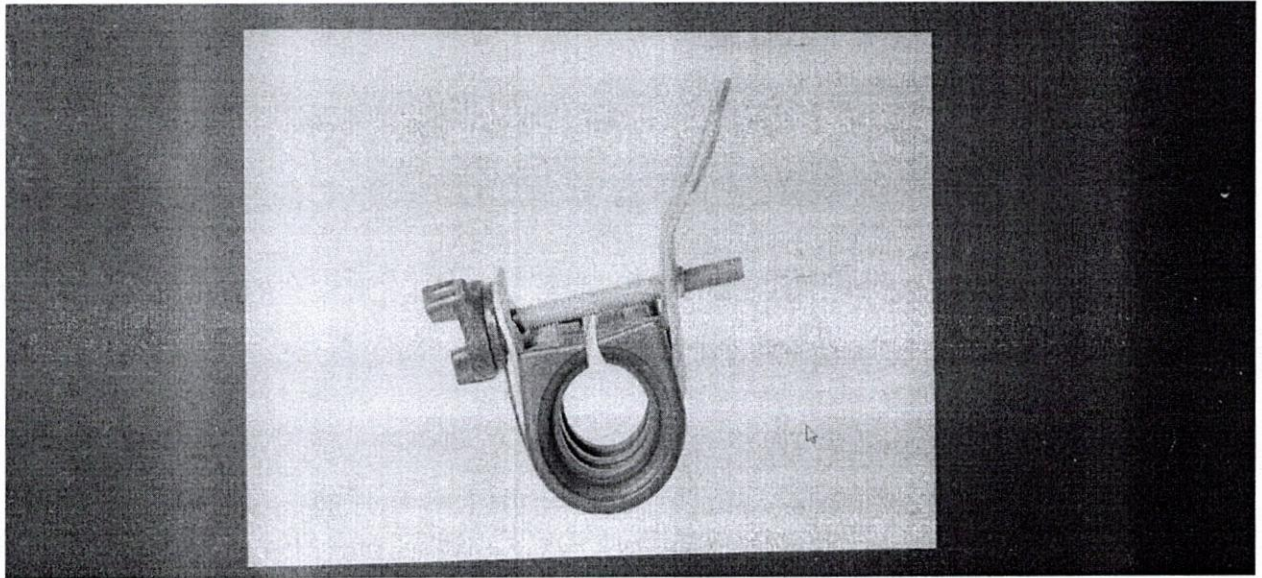


[Handwritten signature]

1. I-Hook (For 2x50Sqmm ABC Cable):

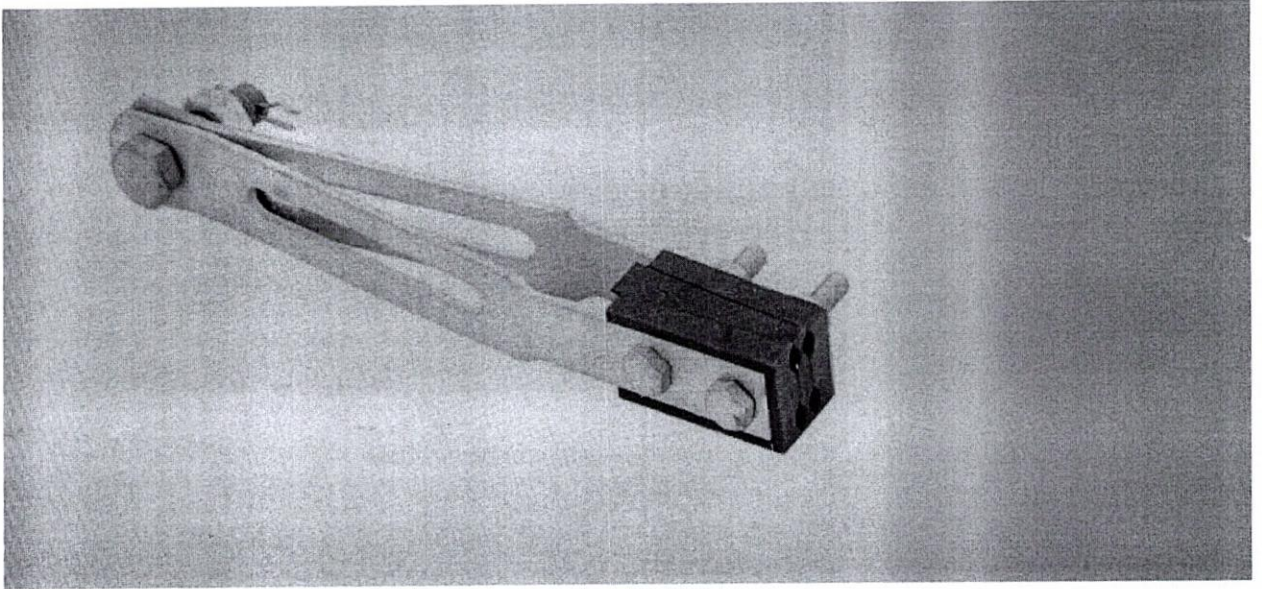


2. Suspension Clamp (For 2x50Sqmm ABC Cable):

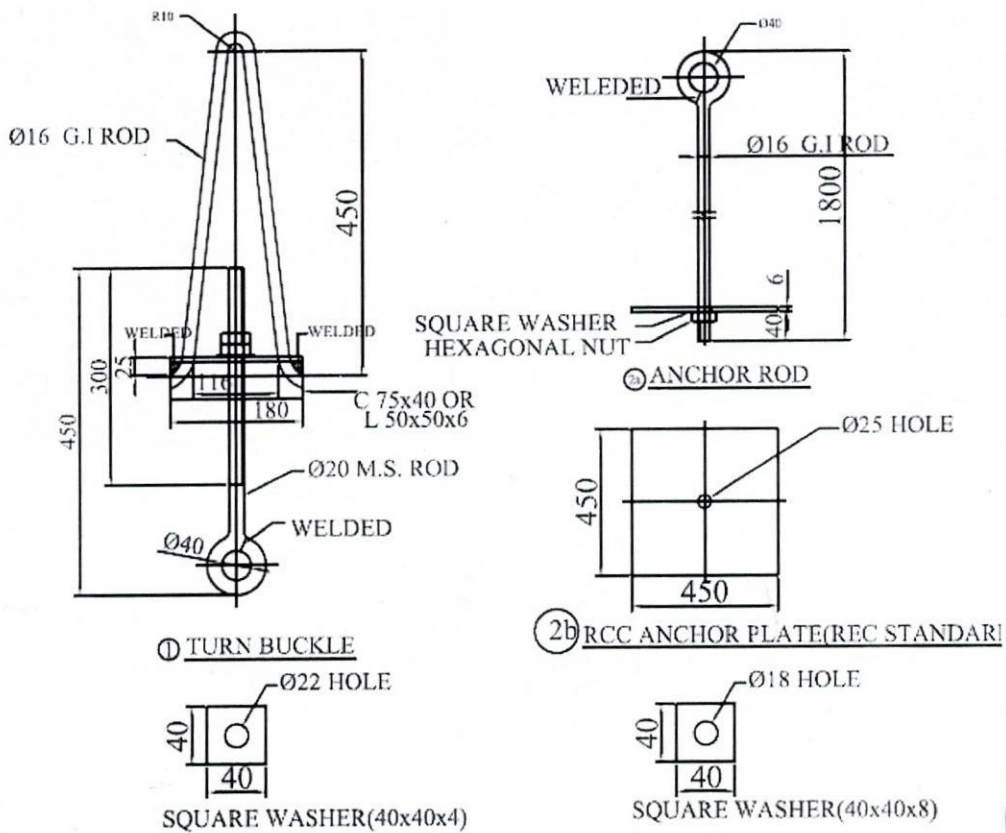


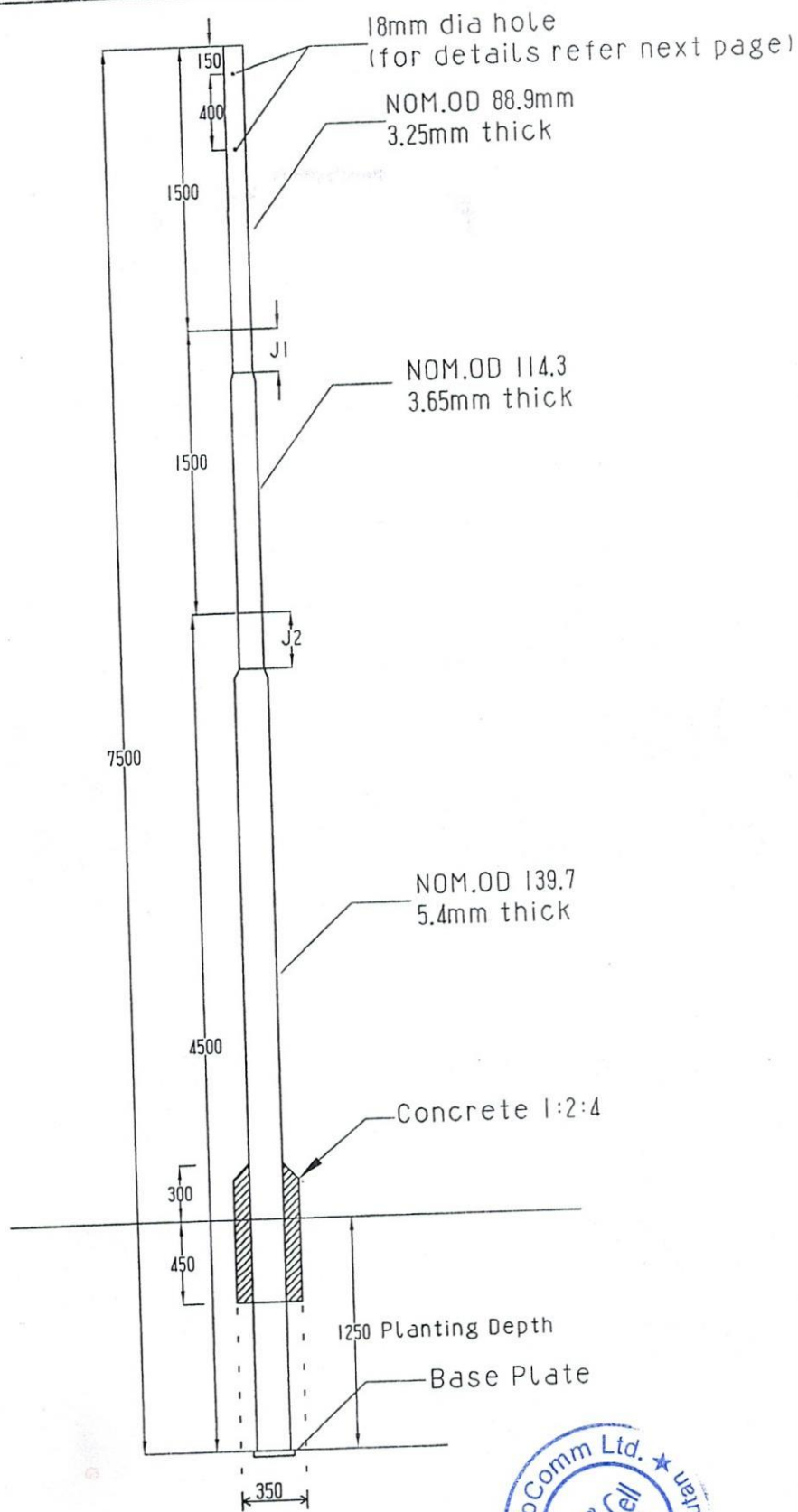
A small, handwritten blue signature or mark located in the bottom right corner of the page.

3. Dead-End Clamp (For 2x50Sqmm ABC Cable):



4. Stay Set





NOTES

1. DIMENSIONS AS SHOWN ARE IN MM.
2. SPECIFICATIONS AS PER IS:2713 (PART I TO III : 1980)
3. POLE TOP CAP -M.S. PLATE WOULD BE TAG WELDED TO THE POLE



BHUTAN POWER CORPORATION LIMITED

ENGINEERING DESIGN & CONTRACTS DEPARTMENT

TITLE : DISTRIBUTION DESIGN & CONSTRUCTION STANDARD

7.5 METERS STEEL TUBULAR POLE ASSEMBLY DETAILS

NAME	DATE

DRAWING NO. BPC/DDCS/2012/1A

REVISION
2012



བགྲིས་བཅད་དོན་བརྒྱུད་འབྲེལ་ཚད་འཛིན།།

Tashi InfoComm Limited

Item: Battery powered cable lugs crimping tool

Specifications:

Brand: DEWALT

Weight: 5 pounds (2.26796 kg)

Item Dimensions (LxWxH): 5x15x23 inches

- ✓ Crimping capacity for copper and aluminum cable, 750 McM Cu/750 Al
- ✓ Die (Brand: Burndy U-Type/Greenlee KC12-Type/ILSCO/T&B)
- ✓ Die Size: 16sqmm – 400sqmm
- ✓ Onboard diagnostics of the cable crimper indicates battery life successfully completed cycles, service needed and operating temperature range
- ✓ Bright LED light help to illuminate work area
- ✓ Easily accessible forward and reverse for one-handed operation
- ✓ Should strap and connection ring for portability
- ✓ 270 degree pivoting head allows the crimper to maneuver in tight spaces
- ✓ Accepts all U-Type Dies and completes UL Certified chart of dies and connectors



Item: Air Conditioner flaring tools

Specifications:

- ✓ Material: Aluminum alloy steel cutter body, surface plating
- ✓ Tubing Cutter: suitable for cutting pipe diameter between (3-28 mm) 1/8- inch to 1-1/8 inch for Pipe Copper PVC Stainless Steel Tube
- ✓ 3 in 1 Pipe Bender: Three sizes of tubing 1/4", 5/6" and 3/8". Bending 0–180-degree copper, aluminum, brass and thin stainless-steel pipes in the air conditioner installation

Brand:- HORUSDY, M/NO: SKU-253641697572



Address: P.O. Box # 1502, Norzin Lam, Thimphu, Bhutan
Phone: +975 77889977 Website: www.tashicell.com



བཀྲིས་བཅད་དོན་བརྒྱུད་འབྲེལ་ཚད་འཛིན།།

Tashi InfoComm Limited

- ✓ Easy to use: The screw of the pipe cutters provides easy control of cutting pressure for clean cuts. Flare groove rollers make rotation simple and prevent skipping and jumping while cutting



Item: Multimeter ; Brand: Proskit *g*, Model NO.: MT-3202 *g*

Specifications:

- ✓ Display: 3 3/4
- ✓ DCV: 400mV/40V/400V/600V± (0.8%+5d)
- ✓ ACV: 4V/40V/400V/600V± (1.2%+5d), True RMS
- ✓ ACA: 4A± (3%+5d), 40A/400A/600A± (2%+5d), True RMS
- ✓ Resistance (Ω): 400/4K/40K/400K/4M/40/MΩ± (1.2%+5d)
- ✓ Capacitance: 4nF± (3%+15d), 40nF/400nF/4μF/40μF/400μF/4mF± (3%+5d)
- ✓ Temperature °C/°F: -20°C ~1000°C ± (3%+5d), -4°F~1832°F± (3%+5d)
- ✓ Frequency (Hz): (V) 4Hz/40Hz/400Hz/4kHz/40kHz ± (0.5%+5d)
(A) 40Hz/400Hz/1kHz ± (0.5%+5d)
- ✓ Dimension: 190*71*30 mm
- ✓ NCV: Yes
- ✓ LED: Yes
- ✓ Battery: 1.5V AAA*2



Address: P.O. Box # 1502, Norzin Lam, Thimphu, Bhutan
Phone: +975 77889977 Website: www.tashicell.com



བགྲིས་བརྒྱ་དོན་བརྒྱུད་འབྲེལ་ཚད་འཛིན།།

Tashi InfoComm Limited



Item: Combination Plier

Brand: Taparia

Model No: TAPARIA 1621-8/1621-8N

Specifications:

Material Chromium

Item Dimensions LxWxH 21 x 1 x 5 Centimeters

Colour Standard

Handle Material Plastic

Item Weight 240 Grams



(Handwritten signature)

Address: P.O. Box # 1502, Norzin Lam, Thimphu, Bhutan
Phone: +975 77889977 Website: www.tashicell.com

(Handwritten signature)



བགྲིས་བཅད་དོན་བརྒྱད་འབྲེལ་ཚད་འཛིན།།

Tashi InfoComm Limited

- The Pliers made from high grade Steel, forged and differentially heat treated to give best performance.
- Fully insulated with quality plastic material sleeves ensures safe electrical working.
- It has excellent wire cutting ability for soft and hard wires.
- Available with fully polished head or Black phosphated and bright polished head.

Item: Combination Wrench

Specifications:

- ✓ Made of Chrome Vanadium Steel with mirror finish provides corrosion resistance
- ✓ Compact size for easy access in confined spaces
- ✓ Slim line spanners reduce problems with hard-to-reach nuts
- ✓ Tool pouch for easy carrying and storage
- ✓ Metric: 8-24 mm (should include 27mm)



Item: Blower

Specifications:

Brand: BOSCH

Power Source: Battery Powered, Air Powered

Style: Bare Tool

Item Dimensions (LxWxH): 21.75x8.25x6 inches

Item Weight: 0.1 Pounds (0.453592)

Air Flow Capacity: 71 Cubic Feet Per Minute



Address: P.O. Box # 1502, Norzin Lam, Thimphu, Bhutan
Phone: +975 77889977 Website: www.tashicell.com



བགྲིས་བཅད་དོན་བརྒྱུད་འབྲེལ་ཚད་འཛིན།།

Tashi InfoComm Limited



Item: Vacuum Cleaner

Specifications:

Brand: BOSCH

Form Factor: Cannister

Model Name: GAS18V-3N

Special Feature: HEPA

- ✓ Cordless wet dry vacuum design- provides sustained suction, prolonged runtime and HEPA filter in a light 18-Volt tool
- ✓ Rotational airflow technology- produces sustained suction, due to a special structure of the vacuum canister
- ✓ Outstanding runtime- operates efficiently to deliver up to four minutes per battery amp hour (Ah)
- ✓ Powerful cordless motor- delivers up to 51 CFM (Cubic Feet Per Minute) of airflow
- ✓ Washable HEPA filter- captures 99.97% of particles at 0.3 microns and larger



Address: P.O. Box # 1502, Norzin Lam, Thimphu, Bhutan
Phone: +975 77889977 Website: www.tashicell.com

Handwritten signature



བགྲིས་བརྒྱ་དོན་བརྒྱུད་འབྲེལ་ཚད་འཛིན།།

Tashi InfoComm Limited

POWERFUL CORDLESS MOTOR

Delivers up to 51 CFM (cubic feet per minute) of airflow

OUTSTANDING RUNTIME

Operates efficiently to deliver up to four minutes per battery Amp hour (Ah)



CORDLESS WET/DRY VACUUM DESIGN

Provides sustained suction, prolonged runtime and HEPA filter in a light 18V tool

FULL ATTACHMENT KIT

Includes three extension tubes, a crevice nozzle and a floor nozzle

COMPACT DESIGN

Vacuum weighs only 10.2 lbs. (tool with attachments only, not including battery)

SEMI-TRANSPARENT CONTAINER

Item: Screw Driver set with Tester

Brand: Taparia



Address:
Phone:

P.O. Box # 1502, Norzin Lam, Thimphu, Bhutan
+975 77889977

Website: www.tashicell.com



བགྲིས་བརྒྱ་དོན་བརྒྱུད་འབྲེལ་ཚད་འཛིན།།

Tashi InfoComm Limited

Item: Socket Wrench with handle

Brand: Taparia

Size: 70mm

Product Specifications

GENERAL

Brand:

Taparia

Country of Origin:

India

Drive End Dia (ØD):

48 mm

Model:

C70

Overall length:

85 mm

Size:

70 mm

Socket Depth (B):

55 mm

Socket End Dia:

91.5 mm

Socket Type:

Hexagonal



Address:
Phone:

P.O. Box # 1502, Norzin Lam, Thimphu, Bhutan
+975 77889977

Website: www.tashicell.com



བགྲིས་བརྗོད་བརྒྱུད་འབྲེལ་ཚད་འཛིན།།

Tashi InfoComm Limited



ཅ

Address: P.O. Box # 1502, Norzin Lam, Thimphu, Bhutan
Phone: +975 77889977 Website: www.tashicell.com

ཧ

Technical Details for Split Type Air Conditioner

Brand	Godrej
Model	40101701SD00933
Energy Efficiency	5 star rating
Capacity	1.5 Tons
Annual Energy Consumption	861.02 Kilowatt Hours Per Year
Noise Level	48 dB
Installation Type	Split System
Part Number	40101701SD00933
Special Features	Inverter compressor, Twin rotary compressor, R290 - lowest GWP refrigerant, Nigh glow remote, 4 way swing, Ambient cooling till 52 degrees, MADE IN INDIA, Active Carbon Filter , Anti Bacterial & Dust Filter, Anti-Microbial Self Cleaning (Healthy Auto Blow) silent operation
Colour	White
Voltage	230 Volts

[Handwritten signature]



Wattage	1500 Watts
Material	Plastic
Included Components	1 Indoor Unit,1 Outdoor Unit, Remote Control, User manual, Warranty Card,Connecting Pipes
Batteries Included	Yes
Batteries Required	Yes
Battery Cell Type	Zinc Carbon
Manufacturer	Godrej & Boyce Mfg Co Ltd
Country of Origin	India





བགྲིས་བཅད་དོན་བརྒྱན་འབྲེལ་ཚད་འཛིན།
Tashi InfoComm Limited

Optical power Meter.

Proskit MT-7601

With LC adaptor (5MT-7601-LC)

Detector Type	InGaAs
Optical Connector	FC/SC/ST & 2.5mm Universal
Calibrated Wavelengths	<ul style="list-style-type: none">• Multiple mode:850nm/1300nm/• Single mode:1310nm/1490nm/1550nm/1
Measurement Range	+6 ~ -70 dBm
Accuracy	± 0.2 dB
Power Measurement Linearity	±2.0%
Display Resolution	+6~-60dBm : 0.01 dB , -60~-70dBm : 0.1 dB
Power Display Units	dBm, mW, μW, nW
Reference Comparison Value	Yes
Modulation Detection	270Hz, 1KHz, 2KHz (850, 1300, 1310, 1490, 1550, 1625)
Operation Voice Prompts	Yes
Backlight	LED
Automatic Power Off	10 minutes (Can be cancelled)
Low Battery Warning	Low battery energy
Body Protected	Yes
Battery Life	> 160 hours
Operating Temperature	-10~+60°C, <90%
Storage Temperature	-20~+70°C, <90%
Power source	AA/LR6 1.5V×2 pcs
Size	165 x 80 X 35 (mm)
Weight	180g (w/o battery)
Optional Accessory	LC adaptor (5MT-7601-LC)

Address: P.O. Box # 1502, Norzin Lam, Thimphu, Bhutan
Phone: +975 77889977 Website: www.tashicell.com



Handwritten signatures and initials



བགྲིས་བཅད་དོན་བརྒྱུད་འབྲེལ་ཚད་འཛིན།
Tashi InfoComm Limited



Handwritten signature

Handwritten signature

Handwritten mark

Address: P.O. Box # 1502, Norzin Lam, Thimphu, Bhutan
Phone: +975 77889977 Website: www.tashicell.com



5. Item Name: Hand Hydraulic forklift/pallet truck

Brand: FIPL

Model: FIE-101

Power Source: Hand operated

FORK Length: 1150/1220mm

Steering wheel: 180 X 50mm

Capacity: 5 Ton

Minimum fork height: 90-100mm

Maximum fork height: 200mm

Load roller single: 82X70mm

Size of the Fork: 150X65mm

Self-weight: 75-125 Kgs



6. Item Name: Mini Ducting Rod

Brand: Stanley or equivalent



[Handwritten signature]

[Handwritten signature]

[Handwritten signature]



Specification:

Length Options: 50m(165') & 80m(262')

Size: 16'' X6.4'' X 20'' Mini Frame "D" Type
Rod: 4.5mm

Features:

- Compact Construction. Can fit into the boot of any car.
- Flexible rod: Optimal for cable/wire installation in conduits and underground ducting up to 80m.
- Rod housed in a sturdy metal frame with an integral brake. Simply rotate the wheel to guide the rod down the duct.
- Provided pre attached with bullet pulling eye.
- No running cost.
- Provided with service set comprising: 2 rod ends, 1 adhesive 20ml.

**7. Item Name: Fish Tape
Brand: Good quality one**

Tape width: 15mm
Tape length: 50-meter
Tape type: Non adhesive
Colour: Black

t

6



Handwritten signature



Search Klein

Home | Products | Where to Buy | Media Center | Support | My Account

Home » Catalog » Wire Fish Tape, Fish Rods, and Conduit Tools » Wire Pulling » Fish Tapes



100' (30.5 m) Nylon Fish Tape

56012

★★★★★ 5.0 (4) Write a review

This product is no longer in production.

- Designed for flexibility and easy navigation through corridors.
- Non-conductive, composite fish tape slides easily over wires and through multiple bends.
- The lightweight and strong nylon composite tape resist elements and is strength rated up to 200 pulling pounds.
- The 13" case diameter means you can reel in 15% more in a single revolution vs. a standard 12" case.
- Made in the USA.



PRODUCT MEDIA

SPECIFICATIONS

WARNINGS

ACCESSORIES

RELATED ITEMS

REVIEWS

VIDEOS

Klein Tools Nylon Fish Tape

Non-Conductive Fiberglass Fish Tape

DOWNLOADS

Brochure

Structure

IMAGES

JPG (High Resolution): 56012_photo.jpg

PNG (Transparent Background): 56012.png



hchassy *by*



བགྲིས་བཅད་དོན་བརྒྱུད་འབྲེལ་ཚད་འཛིན།།

Tashi InfoComm Limited

Aluminium Telescopic Ladder with Wheels and Stabiliser Bar (Silver, 21.3 ft)

Product Specifications

Material

Aluminum 6063 T5

Dimensions

115 x 49 x 11

Loading Capacity

150 kg

Thickness

1.5 MM

Total Step

13

Extension Length

21.5 Feet

Model No

EALT - 065

Type

Extension

Color

Silver/Black

Spacing Between Rungs

39.5 CM

Package Included

Ladder, User Manual, Wheels & Stabiliser Bar.



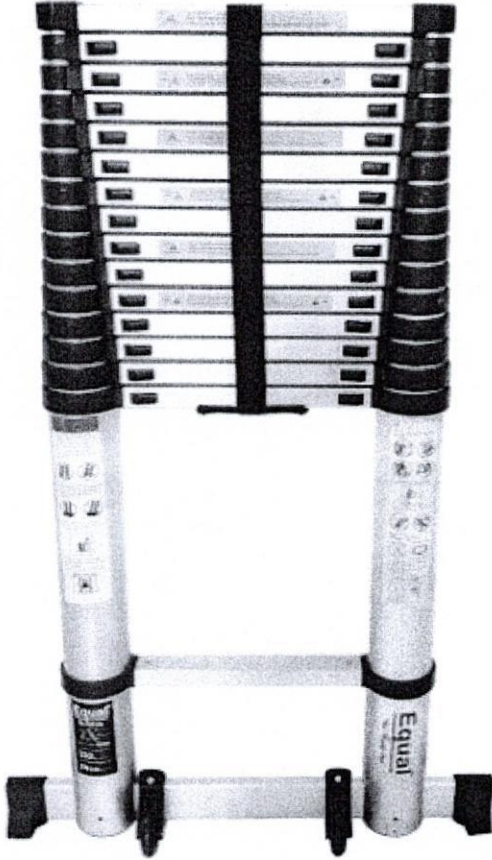
Handwritten signature

Address: P.O. Box # 1502, Norzin Lam, Thimphu, Bhutan
Phone: +975 77889977 Website: www.tashicell.com



བགྲིས་བརྒྱ་དོན་བརྒྱད་འབྲེལ་ཚད་འཛིན།

Tashi InfoComm Limited



Lyonsy by

Address: P.O. Box # 1502, Norzin Lam, Thimphu, Bhutan
Phone: +975 77889977 Website: www.tashicell.com



བགྲིས་བརྒྱ་དོན་བརྒྱུད་འབྲེལ་ཚད་འཛིན།
Tashi InfoComm Limited

Bare fiber G652D Single mode, 10 km.



Handwritten signature

Handwritten signature

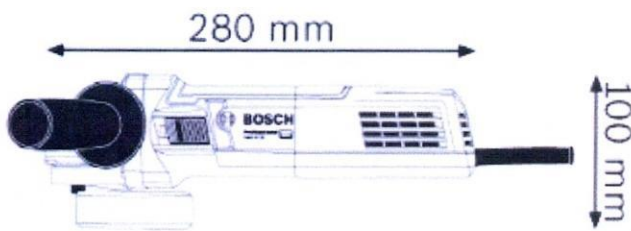
Handwritten signature

Address: P.O. Box # 1502, Norzin Lam, Thimphu, Bhutan
Phone: +975 77889977 Website: www.tashicell.com



བགྲིས་བརྒྱ་དོན་བརྒྱན་འབྲེལ་ཚད་འཛིན།
Tashi InfoComm Limited

Bosch-Angle Grinder



kyasgy

ky

Address: P.O. Box # 1502, Norzin Lam, Thimphu, Bhutan
Phone: +975 77889977 Website: www.tashicell.com



བགྲིས་བརྒྱ་དོན་བརྒྱད་འབྲེལ་ཚད་འཛིན།།

Tashi InfoComm Limited

Technical data

Additional data

Rated input power	900 W
No-load speed	11,000 rpm
Disc diameter	125 mm
Power output	450 W
Grinding spindle thread	M14
Switch	Lockable Switch
Tool dimensions (width)	73 mm
Tool dimensions (length)	280 mm
Tool dimensions (height)	100 mm
Weight	1.9 kg



Handwritten signatures

Address: P.O. Box # 1502, Norzin Lam, Thimphu, Bhutan
Phone: +975 77889977 Website: www.tashicell.com